

LINK-PIPE[®]

INC.

Manufacturer of No-Dig Pipe Repair Products

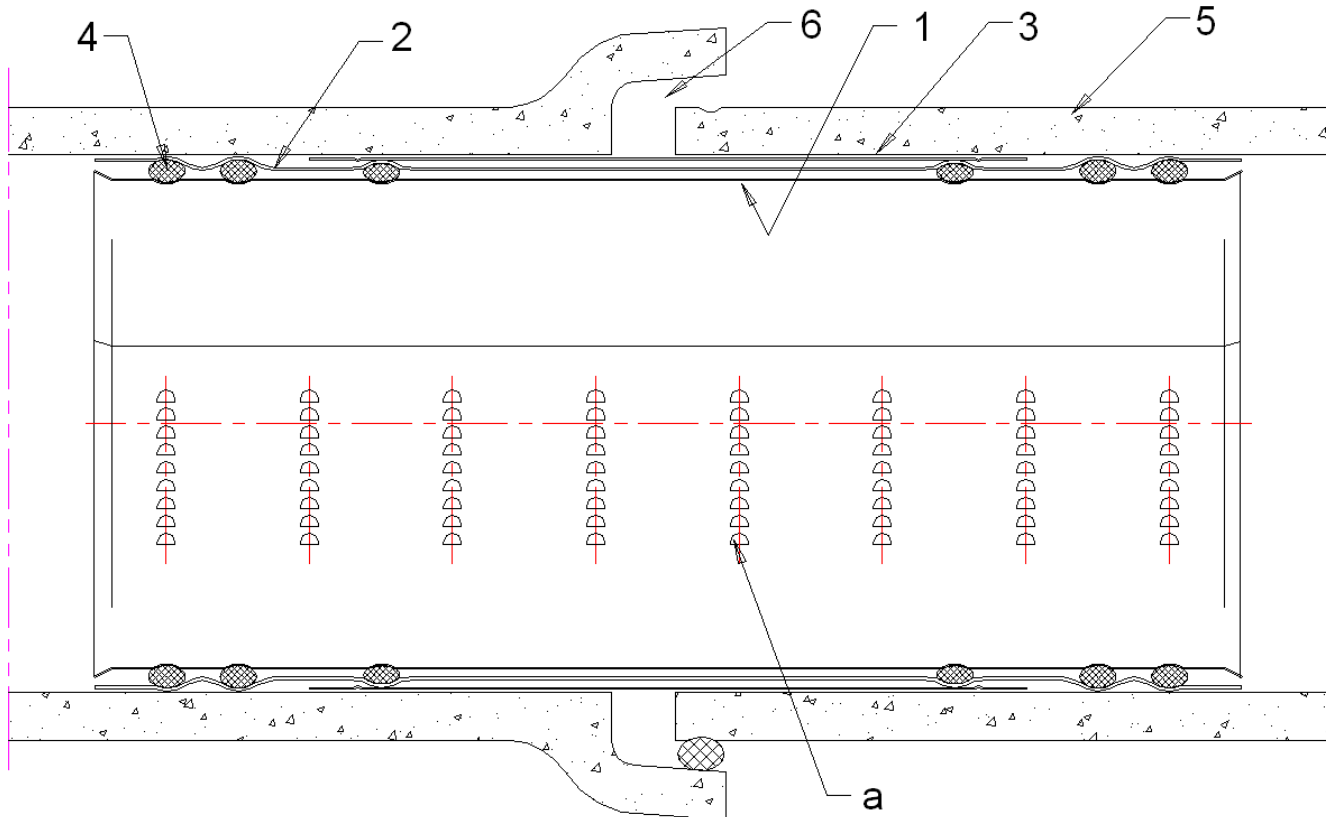
27 West Beaver Creek Rd., Unit # 2, Richmond Hill, Ontario
Canada L4B 1M8 Tel: (905) 886-0335 Fax: (905) 886-7323
E-mail: info@linkpipe.com http://www.linkpipe.com

Link-Pipe Pressure Seal™ / Hydro Seal™ (Jacketed Reinforced)

Pipe Diameter from 4" to 54" Installation range within 1000+ feet



Joints and holes repair

SLEEVE INSTALLATION SCHEME



1. SST-316 Core (a – Ratchet Locking Mechanism).
2. Rubber Jacket.
3. Reinforcement Plate
4. O-Rings.
5. Potable Water Pipe.
6. Damage Area

All materials used in the Link-Pipe Hydro Seal™ are NSF-61 and / or FDA approved

LINK-PIPE and  are registered trademarks of Link-Pipe Inc. in Canada. LINK-PIPE is a registered trademark and  is a trademark of Link-Pipe Inc. in the United States. Dia-Meter™, Gas Sealer™, Hydro-Seal™, Insta-Liner™, Grouting Sleeve™, Link-Pipe PVC™, Pressure-Seal™, Sewer Sealer™ and Sewer Sealer VD™ are trademarks of Link-Pipe Inc. Grouting Sleeve™ is protected by US Patent No. 5,351,720, Canadian Patent No. 2,131,291, Hong Kong Patent No. HK1003143. Gas Sealer™ is protected by US Patent No. 6,138,718. Jacketed Sealer™ is protected by US Patent No. 9,052,051, Russian Patent No. 2533604, Chinese Patent No. ZL201010153141.9, Hong Kong Patent No. HK1149066.